

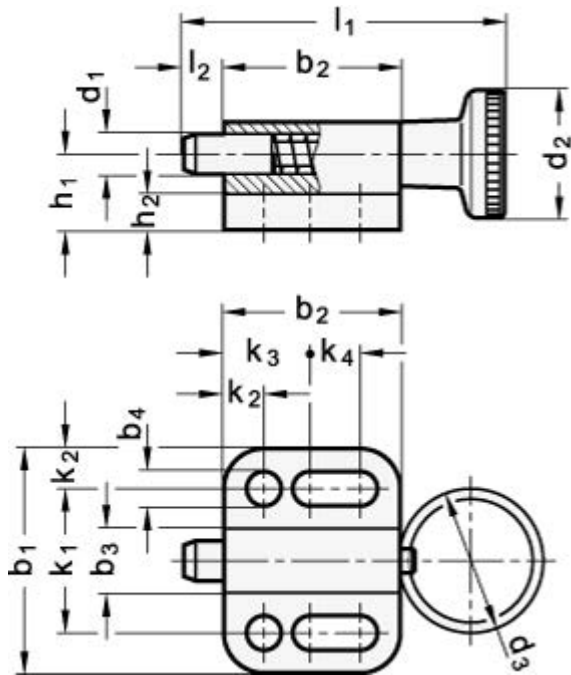
Data Sheet



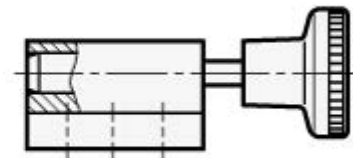
Article number: 2041710B

Description: E+G Indexing plunger GN 417-10-B

Measures



Plunger pin retracted



b1 = 39	k1	= 27	Weight in (g) = 34
b2 = 35	k2	= 6	
b3 = 15.5	k3	= 15	
b4 = 6.5	k4	= 13.5	
d1 = 10	l1	= 67.5	
d2 = 25	l2	= 10	
h1 = 14.5	springload in N bottom	= 25	
h2 = 6	Springload in N top	= 4	